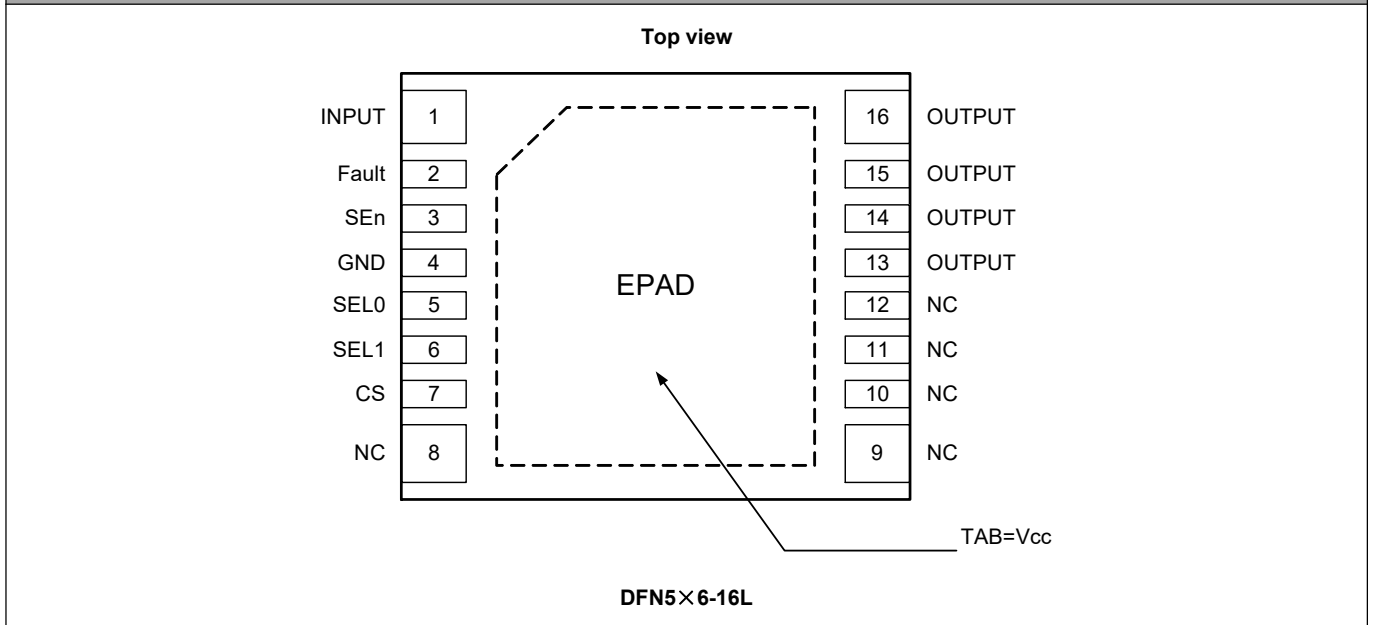


Ordering Information

Package	Top Mark	Part No.
16-Pin DFN5×6-16L, Pb-free	WS7025AD XXYMXX	WS7025AD

Pin Configuration



Pin Description

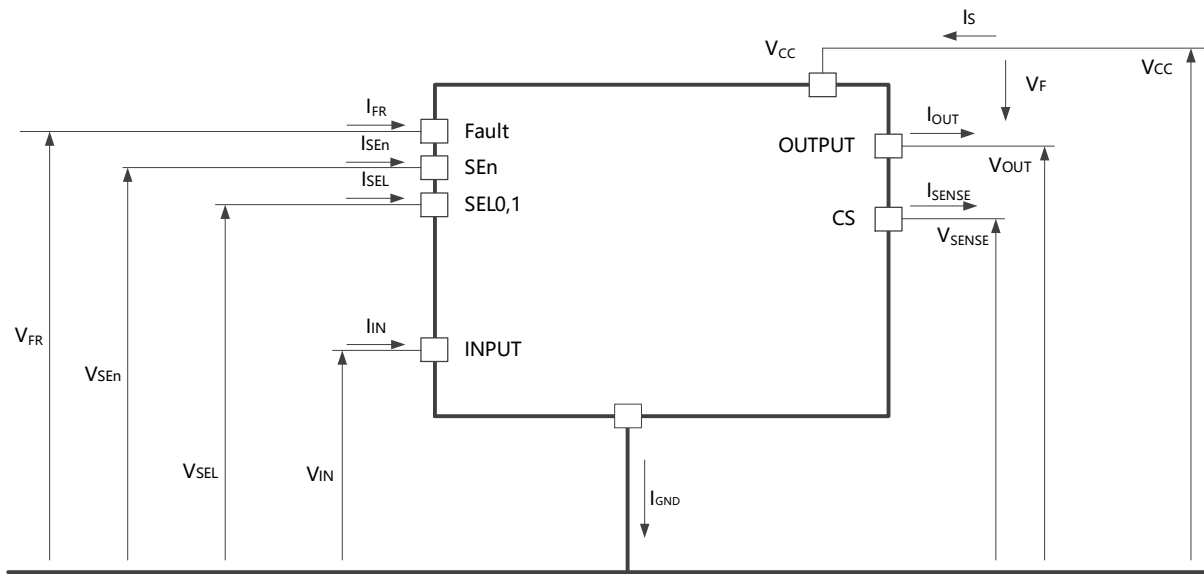
Pin Name	Pin NO.	Pin Description
INPUT	1	Voltage controlled input pin with hysteresis, compatible with 3 V and 5 V CMOS outputs. It controls output switch state.
Fault	2	Active low compatible with 3 V and 5 V CMOS outputs pin, it unlatches the output in case of fault; If kept low, sets the outputs in auto-restart mode.
SEn	3	Active high compatible with 3 V and 5 V CMOS outputs pin, it enables the CS diagnostic pin.
GND	4	Ground connection. Must be reverse battery protected by an external diode / resistor network.
SEL0	5	Active high compatible with 3 V and 5 V CMOS outputs pin; they address the CS multiplexer.
SEL1	6	
CS	7	Multiplexed analog sense output pin; it delivers a current proportional to the selected diagnostic: load current, supply voltage or chip temperature.
OUTPUT	13/14/15/16	Power outputs.
NC	8/9/10/11/12	No connect.
V _{cc}	EPAD	Battery connection.

Table 1. Suggested connections for unused and not connected pins

Connection / pin	CS	NC	OUTPUT	INPUT	SEn, SEL0/1, Fault
Floating	Not allowed	X ⁽¹⁾	X	X	X
To ground	Through 1K resistor	X	Not allowed	Through 15K resistor	Through 15K resistor

Note1: X do not care.

Current and Voltage Conventions



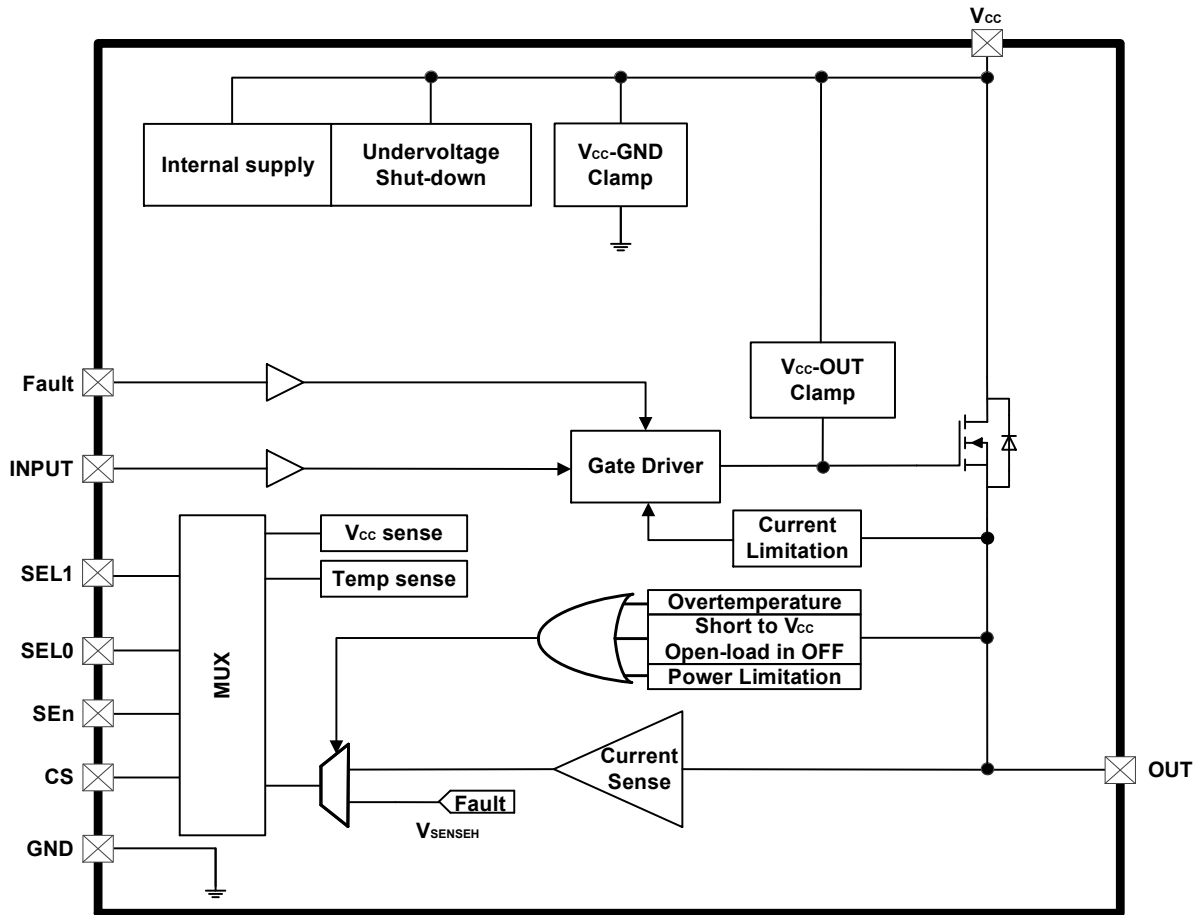
Note2: $V_F = V_{OUT} - V_{CC}$ during reverse battery condition.

Absolute Maximum Ratings (Note3)

Symbol	Parameter	Value	Unit
V _{CC}	DC supply voltage	38	V
-V _{CC}	Reverse DC supply voltage	0.3	V
-I _{GND}	DC reverse ground pin current	50	mA
I _{OUT}	OUTPUT DC output current	Internally limited	A
-I _{OUT}	Reverse DC output current	2.0	
V _{IN} , V _{SEn} , V _{SEL} , V _{Fault}	INPUT, SE _n , SEL _{0,1} , Fault DC input voltage	-0.3 to 6.6	V
I _{SENSE}	CS pin DC output current	20	mA
	CS pin DC output current in reverse	-20	
E _{MAX}	Maximum switching energy (single pulse)(T _{DEMAG} =0.4 ms, T _{jstart} =150°C)	20	mJ
V _{ESD}	JEDEC standard (Electrostatic discharge)	JEDEC 22A-114F	
	INPUT, CS, SE _n , SEL _{0,1} , Fault	2000	V
	V _{CC} , OUTPUT	3000	
V _{ESD}	Charge device model (CDM-AEC-Q100-011)	1000	V
T _j	Junction operating temperature	-40 to 150	°C
T _{stg}	Storage temperature	-55 to 150	

Note3: Stressing the device above the rating listed in Absolute maximum ratings may cause permanent damage to the device. These are stress ratings only and operation of the device at these or any other conditions above those indicated in the operating sections of this specification is not implied. Exposure to the conditions in table below for extended periods may affect device reliability.

Functional Block



Electrical Characteristics (Note4)

Power section

Parameter	Symbol	Test Condition	Min.	Typ.	Max.	Unit
Operating supply voltage	V_{CC}		4.5	13	28	V
Under voltage shutdown	V_{USD}				4.5	V
Under voltage shutdown reset	$V_{USDReset}$				5	V
Under voltage shutdown hysteresis	$V_{USDhyst}$			0.3		V
On-state resistance	R_{ON}	$I_{OUT}=3A, T_j = 25^{\circ}C$		25		mΩ
		$I_{OUT}=3A, T_j = 150^{\circ}C$			60	
		$I_{OUT}=3A, V_{CC} = 4.5V, T_j = 25^{\circ}C$			50	
V_{CC} clamp voltage	V_{clamp}	$I_S=20\text{ mA}, 25^{\circ}C < T_j < 150^{\circ}C$	39	42	48	V
		$I_S=20\text{ mA}, T_j = -40^{\circ}C$	38			
Supply current in standby at $V_{CC} = 13\text{ V}$	I_{STBY}	$V_{CC} = 13V, V_{IN}=V_{OUT}=V_{FR}=V_{SEN}=0V$ $V_{SEL0,1} = 0\text{ V}, T_j = 25^{\circ}C$			1.0	μA
		$V_{CC} = 13V, V_{IN}=V_{OUT}=V_{FR}=V_{SEN} = 0V,$ $V_{SEL0,1} = 0\text{ V}, T_j = 125^{\circ}C$			3.0	μA
Standby mode blanking time	t_{D_STBY}	$V_{CC}=13V, V_{IN}=V_{OUT}=V_{FR} = V_{SEL0,1}=0V$ $V_{SEN}=5\text{ V to } 0\text{ V}$	100	350	700	us
Supply current	$I_{S(ON)}$	$V_{CC}=13V, V_{SEN}=V_{FR} = V_{SEL0,1}=0V,$ $V_{IN}=5V, I_{OUT}=0A$		3.5	7	mA
Control stage current consumption in ON state	$I_{GND(ON)}$	$V_{CC}=13V, V_{SEN}=5V, V_{FR}=V_{SEL0,1}=0V$ $V_{IN}=5V, I_{OUT}=3A$			7	mA
Off-state output current at $V_{CC} = 13V$	$I_{L(off)}$	$V_{IN} = V_{OUT} = 0V, V_{CC} = 13V, T_j = 25^{\circ}C$	0	0.05	0.5	μA
		$V_{IN} = V_{OUT} = 0V, V_{CC} = 13V, T_j = 125^{\circ}C$	0		3	μA
Output - V_{CC} diode voltage at $T_j=150^{\circ}C$	V_F	$I_{OUT} = -0.2A, T_j = 150^{\circ}C$			0.9	V

Switching/ $V_{CC} = 13\text{ V}, -40^{\circ}C < T_j < 150^{\circ}C$, unless otherwise specified

Parameter	Symbol	Test Condition	Min.	Typ.	Max.	Unit
Turn-on delay time at $T_j = 25^{\circ}C$	$T_{d(on)}$	$R_L = 4.3\Omega$	10	40	120	us
Turn-off delay time at $T_j = 25^{\circ}C$	$T_{d(off)}$		10	75	120	
Turn-on voltage slope at $T_j = 25^{\circ}C$	$(dV_{OUT}/dt)_{on}$	$R_L = 4.3\Omega$	0.05	0.2	0.7	V/us
Turn-off voltage slope at $T_j = 25^{\circ}C$	$(dV_{OUT}/dt)_{off}$		0.05	0.25	0.7	
Differential pulse skew($t_{PHL} - t_{PLH}$)	t_{SKEW}	$R_L = 4.3\Omega$	-90	-	60	us

Logic input (IN, Fault, SEL0,1, SEN)

Parameter	Symbol	Test Condition	Min.	Typ.	Max.	Unit
Logic input low level voltage	V_L				0.9	V
Low level logic input current	I_L	$V_{INL}=0.9V$	0.5			uA
Logic input high level voltage	V_H		2.1		6.6	V
High level logic input current	I_H	$V_{INH}=2.1V$			12	uA
Logic input hysteresis voltage	$V_{(hyst)}$		0.1	0.3	0.7	V

Protections (7 V < V _{CC} < 18 V, -40 °C < T _j < 150 °C)						
Parameter	Symbol	Test Condition	Min.	Typ.	Max.	Unit
DC short circuit current	I _{LIMH}	V _{CC} =13V	12	24	36	A
		4.5V < V _{CC} < 18V			36	
Short circuit current during hermal cycling	I _{LIML}	V _{CC} =13V, T _R < T _j < T _{TSD}		9		
Shutdown temperature	T _{TSD}		150	175	200	°C
Thermal hysteresis	T _{HYST}			20		°C
Dynamic temperature	ΔT _{J_SD}	T _j = -40 °C, V _{CC} =13V		60		°C
Current limit thermal hysteresis	T _R			40		°C
Fault reset time for output unlatch	t _{LATCH_RST}	V _{Fault} =5V to 0V, V _{SEn} =5V, V _{IN} =5V, V _{SELO} =V _{SEL1} =0V	3	20	60	us
Turn-off output voltage clamp	V _{DEMAG}	I _{OUT} =2A, L= 6mH, T _j = -40 °C	V _{CC} -31			V
		I _{OUT} =2A, L= 6mH, T _j =25 °C to 150 °C	V _{CC} -32	V _{CC} -38	V _{CC} -43	
Current sense / 7 V < V _{CC} < 18 V, -40 °C < T _j < 150 °C						
Parameter	Symbol	Test Condition	Min.	Typ.	Max.	Unit
Current sense clamp voltage	V _{SENSE_CL}	V _{SEn} =0V, I _{SENSE} =1mA		-15		V
		V _{SEn} =0V, I _{SENSE} = -1mA		7		
Chip temperature analog feedback						
Parameter	Symbol	Test Condition	Min.	Typ.	Max.	Unit
CS output voltage proportional to chip temperature	V _{SENSE_TC}	V _{SEn} =5V, V _{SELO} =0V, V _{SEL1} =5V, V _{IN} =0V, R _{SENSE} =1K, T _j = -40 °C	2.325	2.42	2.495	V
		V _{SEn} =5V, V _{SELO} =0V, V _{SEL1} =5V, V _{IN} =0V, R _{SENSE} =1K, T _j = 25 °C	1.985	2.07	2.155	V
		V _{SEn} =5V, V _{SELO} =0V, V _{SEL1} =5V, V _{IN} = 0V, R _{SENSE} =1K, T _j = 150 °C	1.285	1.35	1.425	V
Temperature coefficient	dV _{SENSE_TC} /dT	T _j = -40 °C to 150 °C		-5.50		mV/K
V _{CC} supply voltage analog feedback						
Parameter	Symbol	Test Condition	Min.	Typ.	Max.	Unit
CS output voltage proportional to V _{CC} supply voltage	V _{SENSE_VCC}	V _{CC} =13V, V _{SEn} =5V, V _{SELO} = V _{SEL1} =5V, V _{IN} =0V, R _{SENSE} =1K	2.52	2.6	2.68	V
Transfer function		V _{SENSE_VCC} = V _{CC} / 5				
Current sense characteristics						
Parameter	Symbol	Test Condition	Min.	Typ.	Max.	Unit
I _{OUT} /I _{SENSE}	K ₁	I _{OUT} =0.5A, V _{SEn} =5V	-50%	2550	+50%	
I _{OUT} /I _{SENSE}	K ₂	I _{OUT} =1A, V _{SEn} =5V	-30%	2950	+30%	
I _{OUT} /I _{SENSE}	K ₃	I _{OUT} =3A, V _{SEn} =5V	-15%	3300	+15%	
I _{OUT} /I _{SENSE}	K ₄	I _{OUT} =8A, V _{SEn} =5V	-10%	3450	+10%	
Current sense leakage current	I _{SENSE0}	CS disabled: V _{SEn} =0V	0		0.5	uA

		CS disabled: $-1V < V_{SENSE} < 5V$	-0.5		3	
		CS enabled: $V_{SEN}=5V, V_{IN}=5V, V_{SELO}=0V, V_{SEL1}=0V, I_{OUT}=0A$	0		200	
		CS enabled: $V_{SEN}=5V, V_{IN}=0V, V_{SELO}=0V, V_{SEL1}=0V, I_{OUT}=0A$	0		2	
Output voltage for CS shutdown	V_{OUT_MSD}	$V_{SEN}=5V, R_{SENSE}=2.7K, V_{IN}=5V; V_{SELO}=V_{SEL1}=0V, I_{OUT}=3A$		5		V
CS saturation voltage	V_{SENSE_SAT}	$V_{CC}=7V, R_{SENSE}=2.7K, V_{SEN}=5V, V_{IN}=5V, V_{SELO}=V_{SEL1}=0V, I_{OUT}=8A, T_j=150^\circ C$	5			V
CS saturation current	I_{SENSE_SAT}	$V_{CC}=7V, V_{SENSE}=4V, V_{IN}=5V, V_{SEN}=5V, V_{SELO}=V_{SEL1}=0V, T_j=150^\circ C$	4			mA
Output saturation current	I_{OUT_SAT}	$V_{CC}=7V, V_{SENSE}=4V, V_{IN}=5V, V_{SEN}=5V, V_{SELO}=V_{SEL1}=0V, T_j=150^\circ C$	10			A

OFF-state diagnostic

Parameter	Symbol	Test Condition	Min.	Typ.	Max.	Unit
OFF-state open load voltage detection threshold	V_{OL}	$V_{SEN}=5V, V_{IN}=0V, V_{SELO}=V_{SEL1}=0V$	2	3	4	V
OFF-state output sink current	$I_{L(off2)}$	$V_{IN}=0V, V_{OUT}=V_{OL}, T_j=-40^\circ C \text{ to } 150^\circ C$	-450	-200	-80	uA
OFF-state diagnostic delay time from falling edge of INPUT	t_{DSTKON}	$V_{SEN}=5V, V_{IN}=5V \text{ to } 0V, V_{SELO}=V_{SEL1}=0V, V_{OUT}=4V, I_{OUT}=0A$	100	350	700	us
Settling time for valid OFF-state open load diagnostic indication from rising edge of SEN	$t_{D_OL_V}$	$V_{IN}=0V, V_{Fault}=0V, V_{SELO}=V_{SEL1}=0V, V_{OUT}=4V, V_{SEN}=0V \text{ to } 5V$			150	us
OFF-state diagnostic delay time from rising edge of V_{OUT}	t_{D_VOL}	$V_{SEN}=5V, V_{IN}=0V, V_{SELO}=V_{SEL1}=0V, V_{OUT}=0V \text{ to } 4V$		5	30	us

Fault diagnostic feedback

Parameter	Symbol	Test Condition	Min.	Typ.	Max.	Unit
Current sense output voltage in fault condition	V_{SENSEH}	$V_{CC}=13V, R_{SENSE}=1K, V_{IN}=0V, V_{SEN}=5V, V_{SELO}=V_{SEL1}=0V, I_{OUT}=0A, V_{OUT}=4V$	5	6.0	6.6	V
Current sense output current in fault condition	I_{SENSEH}	$V_{CC}=13V, V_{SENSE}=5V$	10	20	30	mA

Current sense timings

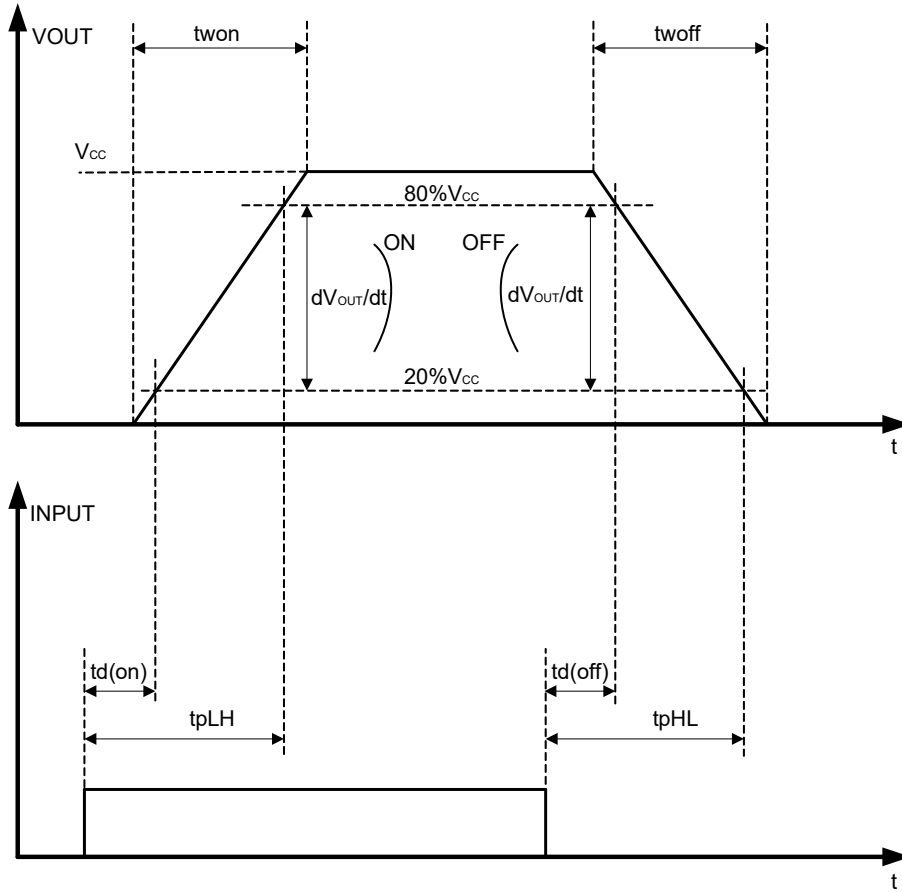
Parameter	Symbol	Test Condition	Min.	Typ.	Max.	Unit
Current sense settling time from rising edge of SEN	$t_{DSENSE1H}$	$V_{IN}=5V, V_{SEN}=0V \text{ to } 5V, R_{SENSE}=1K, R_L=4.3\Omega$			100	us
Current sense disable delay time from falling edge of SEN	$t_{DSENSE1L}$	$V_{IN}=5V, V_{SEN}=5V \text{ to } 0V, R_{SENSE}=1K, R_L=4.3\Omega$		5	20	us
Current sense settling time from rising edge of INPUT	$t_{DSENSE2H}$	$V_{IN}=0V \text{ to } 5V, V_{SEN}=5V, R_{SENSE}=1K, R_L=4.3\Omega$		80	250	us
Current sense settling time from rising edge of I_{OUT} (dynamic response to a step change of I_{OUT})	$\Delta t_{DSENSE2H}$	$V_{IN}=5V, V_{SEN}=5V, R_{SENSE}=1K, I_{SENSE}=90\% \text{ of } I_{SENSEMAX}, R_L=4.3\Omega$			150	us

Current sense turn-off delay time from falling edge of INPUT	$t_{DSENSE2L}$	$V_{IN}=5V$ to $0V$, $V_{SEn}=5V$, $R_{SENSE}=1K$, $R_L=4.3\Omega$		80	250	us
V_{SENSE_TC} settling time from rising edge of SEn	$t_{DSENSE3H}$	$V_{SEn}=0V$ to $5V$, $V_{SEL0}=0V$, $V_{SEL1} = 5V$, $R_{SENSE}=1K$			60	us
V_{SENSE_TC} disable delay time from falling edge of SEn	$t_{DSENSE3L}$	$V_{SEn}=5V$ to $0V$, $V_{SEL0}=0V$, $V_{SEL1} = 5V$, $R_{SENSE}=1K$			20	us
V_{SENSE_VCC} settling time from rising edge of SEn	$t_{DSENSE4H}$	$V_{SEn}=0V$ to $5V$, $V_{SEL0}=5V$, $V_{SEL1} = 5V$, $R_{SENSE}=1K$			60	us
V_{SENSE_VCC} disable delay time from falling edge of SEn	$t_{DSENSE4L}$	$V_{SEn}=5V$ to $0V$, $V_{SEL0}=5V$, $V_{SEL1} = 5V$, $R_{SENSE}=1K$			20	us
Current sense transition delay from current sense to T_C sense	$t_{D_CS\ to\ TC}$	$V_{IN}=5V$, $V_{SEn}=5V$, $V_{SEL0}=0V$, $V_{SEL1}=0V$ to $5V$, $I_{OUT}=1.5A$, $R_{SENSE}=1K$			20	us
Current sense transition delay from T_C sense to current sense	$t_{D_TC\ to\ CS}$	$V_{IN}=5V$, $V_{SEn}=5V$, $V_{SEL0}=0V$, $V_{SEL1}=5V$ to $0V$, $I_{OUT}=1.5A$, $R_{SENSE}=1K$			100	us
Current sense transition delay from current sense to V_{CC} sense	$t_{D_CS\ to\ VCC}$	$V_{IN}=5V$, $V_{SEn}=5V$, $V_{SEL0}=5V$, $V_{SEL1}=0V$ to $5V$, $I_{OUT}=1.5A$, $R_{SENSE}=1K$			20	us
Current sense transition delay from V_{CC} sense to current sense	$t_{D_VCC\ to\ CS}$	$V_{IN}=5V$, $V_{SEn}=5V$, $V_{SEL0}=5V$, $V_{SEL1}=5V$ to $0V$, $I_{OUT}=1.5A$, $R_{SENSE}=1K$			100	us
Current sense transition delay from T_C sense to V_{CC} sense	$t_{D_TC\ to\ VCC}$	$V_{CC}=13V$, $V_{SEn}=5V$, $V_{SEL0}=0V$ to $5V$, $V_{SEL1}=5V$, $R_{SENSE}=1K$			20	us
Current sense transition delay from V_{CC} sense to T_C sense	$t_{D_VCC\ to\ TC}$	$V_{CC}=13V$, $V_{SEn}=5V$, $V_{SEL0}=5V$ to $0V$, $V_{SEL1}=5V$; $R_{SENSE}=1K$			20	us

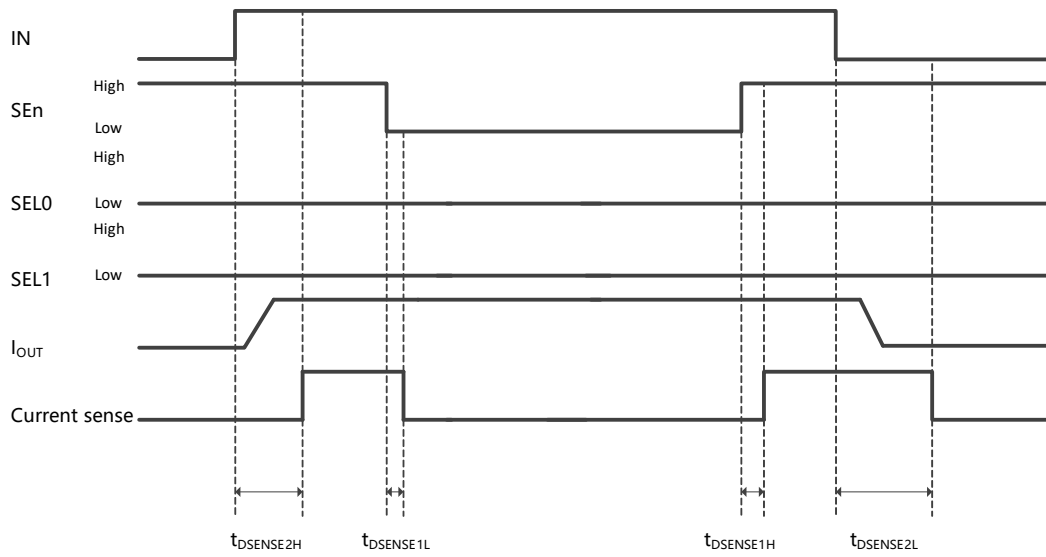
Note4: Except for the special test instructions, all electrical parameters are tested under $T_A = +25^\circ C$. The minimum and maximum specification range of the specifications is guaranteed by the test, and the typical values are guaranteed by the design, test, or statistical analysis.

Switching Status and Timing Relationship

Switching time and pulse skew



Current sense timings (current sense mode)



T_{DSTKON}

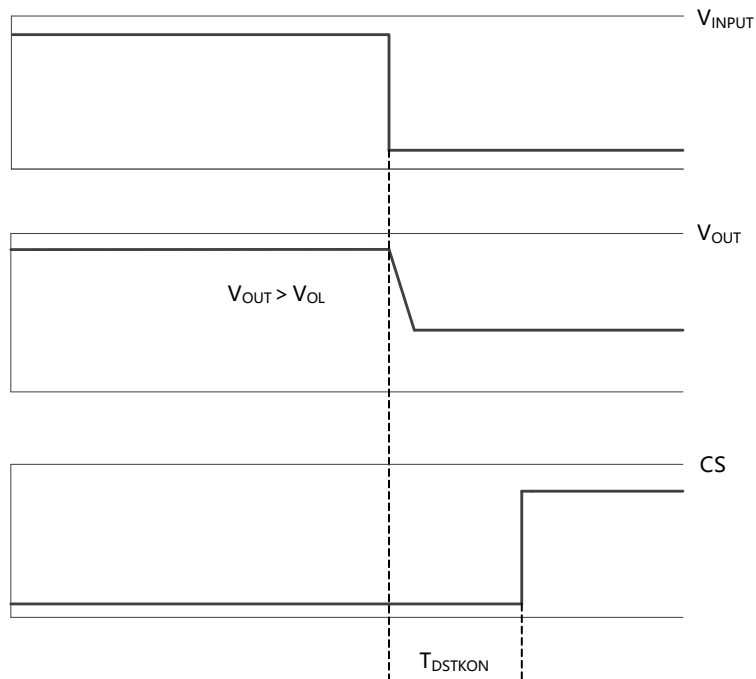


Table 2. Truth table

Mode	Conditions	IN	FR	SEn	SEL _x	OUT	Current sense	Comments
Standby	All logic INs low	L	L	L	L	L	Hi-Z	Low quiescent current consumption
Normal	Nominal load connected; $T_j < 150^\circ\text{C}$	L	X	See Table 3		L	See Table 3	
		H	L			H	See Table 3	Outputs configured for auto-restart
		H	H			H	See Table 3	Outputs configured for latch-off
Overload	Overload or short to GND causing: $T_j > T_{TSD}$ or $\Delta T_j > \Delta T_{j_SD}$	L	X	See Table 3		L	See Table 3	
		H	L			H	See Table 3	Output cycles with temperature hysteresis
		H	H			L	See Table 3	Output latches-off
Undervoltage	$V_{CC} < V_{USD}$	X	X	X		L	Hi-Z	Re-start when $V_{CC} > V_{USD} + V_{USDhyst}$ (rising)
OFF-state diagnostics	Short to V_{CC}	L	X	See Table 3		H	See Table 3	
	Open-Load	L	X			H	See Table 3	External pull-up
Negative output voltage	Inductive loads turn-off	L	X	See Table 3		<0	See Table 3	

Table 3. Current sense output

SEn	SEL1	SEL0	MUX Channel	Current sense output			
				Normal	Overload	OFF-state	Negative output
L	X	X		Hi-Z			
H	L	L	Channel diagnostic	$I_{SENSE} = I_{OUT}/K$	$V_{SENSE} = V_{SENSEH}$	$V_{SENSE} = V_{SENSEH}$	Hi-Z
H	L	H					
H	H	L	T_{CHIP} Sense	$V_{SENSE} = V_{SENSE_TC}$			
H	H	H	V_{CC} Sense	$V_{SENSE} = V_{SENSE_VCC}$			

Functional Description

Power limitation

The basic working principle of this protection consists of an indirect measurement of the junction temperature swing ΔT_j through the direct measurement of the spatial temperature gradient on the device surface in order to automatically shut off the output MOSFET as soon as ΔT_j exceeds the safety level of $\Delta T_{j,SD}$. According to the voltage level on the Fault pin, the output MOSFET switches on and cycles with a thermal hysteresis according to the maximum instantaneous power which can be handled (Fault = Low) or remains off (Fault = High). The protection prevents fast thermal transient effects and, consequently, reduces thermo-mechanical fatigue.

Thermal shutdown

In case the junction temperature of the device exceeds the maximum allowed threshold (typically 175 °C), it automatically switches off and the diagnostic indication is triggered. According to the voltage level on the Fault pin, the device switches on again as soon as its junction temperature drops to T_R (Fault = Low) or remains off (Fault = High).

Current limitation

The device is equipped with an output current limiter in order to protect the silicon as well as the other components of the system (e.g. bonding wires, wiring harness, connectors, loads, etc.) from excessive current flow. Consequently, in case of short circuit, overload or during load power-up, the output current is clamped to a safety level, I_{LIMH} , by operating the output power MOSFET in the active region.

Negative voltage clamp

In case the device drives inductive load, the output voltage reaches a negative value during turn off. A negative voltage clamp structure limits the maximum negative voltage to a certain value, V_{DEMAG} , allowing the inductor energy to be dissipated without damaging the device.

Diode (D_{GND}) in the ground line

A resistor (typ. $R_{GND}=4.7K$) should be inserted in parallel to D_{GND} if the device drives an inductive load. This small signal diode can be safely shared amongst several different HSDs. Also in this case, the presence of the ground network produces a shift ($\approx 600mV$) in the input threshold and in the status output values if the microprocessor ground is not common to the device ground. This shift does not vary if more than one HSD shares the same diode/resistor network.

MCU I/Os protection

If a ground protection network is used and negative transients are present on the V_{CC} line, the control pins will be pulled negative. WS suggests to insert a resistor ($R_{prot}=15K$) in line both to prevent the micro-controller I/O pins from latching-up and to protect the HSD inputs. The value of these resistors is a compromise between the leakage current of micro-controller and the current required by the HSD I/Os (Input levels compatibility) with the latch-up limit of micro-controller I/Os.

CS - analog current sense

Diagnostic information on device and load status are provided by an analog output pin (CS) delivering the following signals:

- Current monitor: current mirror of channel output current
- V_{CC} monitor: voltage proportional to V_{CC}
- T_{CASE} : voltage proportional to chip temperature

Those signals are routed through an analog multiplexer which is configured and controlled by means of SELx and SEn pins, according to the address map in CS multiplexer addressing Table.

Current monitor

When current mode is selected in the CS, this output is capable to provide:

- Current mirror proportional to the load current in normal operation, delivering current proportional to the load according to known ratio named K
- Diagnostics flag in fault conditions delivering fixed voltage V_{SENSEH}

The current delivered by the current sense circuit, I_{SENSE} can be easily converted to a voltage V_{SENSE} by using an external sense resistor, R_{SENSE} , allowing continuous load monitoring and abnormal condition detection.

While device is operating in normal conditions (no fault intervention), V_{SENSE} calculation can be done using simple equations.

Current provided by CS output: $I_{SENSE} = I_{OUT}/K$

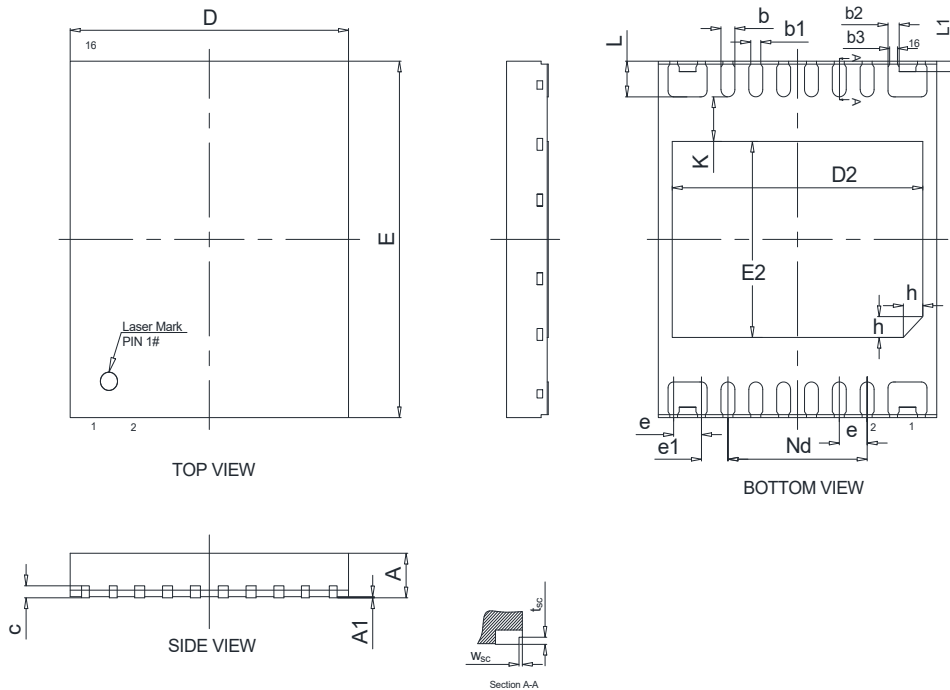
Voltage on R_{SENSE} : $V_{SENSE} = R_{SENSE} * I_{SENSE} = R_{SENSE} * I_{OUT}/K$

Where:

- V_{SENSE} is voltage measurable on R_{SENSE} resistor
- I_{SENSE} is current provided from CS pin in current output mode

Package Outline

DFN5×6-16L



SYMBOL	MILLIMETER		
	MIN	NOM	MAX
A	0.70	0.75	0.80
A1	0	0.02	0.05
b	0.20	0.25	0.30
b1	0.18REF		
b2	0.15	0.20	0.25
b3	0.14REF		
c	0.203REF		
D	4.90	5.00	5.10
D2	4.40	4.50	4.60
e	0.50BSC		
e1	0.475BSC		
Nd	2.50BSC		
E	5.90	6.00	6.10
E2	3.20	3.30	3.40
L	0.55	0.60	0.65
L1	0.16	0.21	0.26
h	0.30	0.35	0.40
K	0.75REF		
W _{sc}	0.01	-	0.09
t _{sc}	0.08	-	0.18

WS7025AD Product Description

High-side driver with current sense analog feedback for automotive applications



CONTACT

Winsemi Microelectronics Co., Ltd.

ADD: Room 3101-3102, 31F, Building 8A, Shenzhen International Innovation Valley, Nanshan District, Shenzhen, P.R. China.

Post Code : 518040

Tel : 86-0755-82506288

Fax: 86-0755-82506299

Website : www.winsemi.com